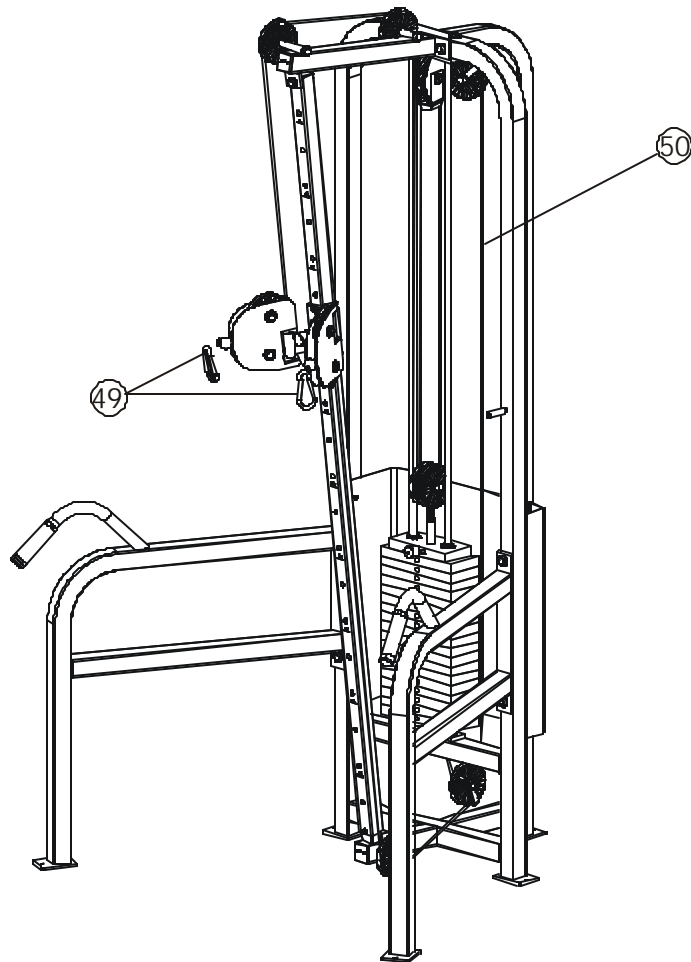


STRENGTH 9000 SERIES TRAINING EQUIPMENT

SM11 Free Standing Adjustable Pulley

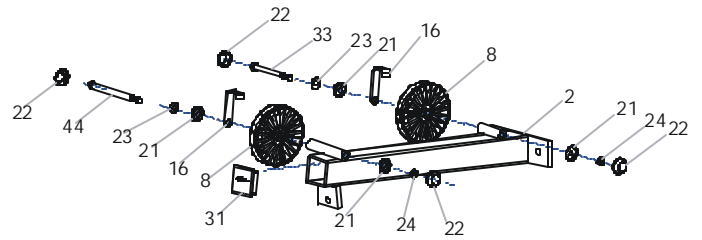
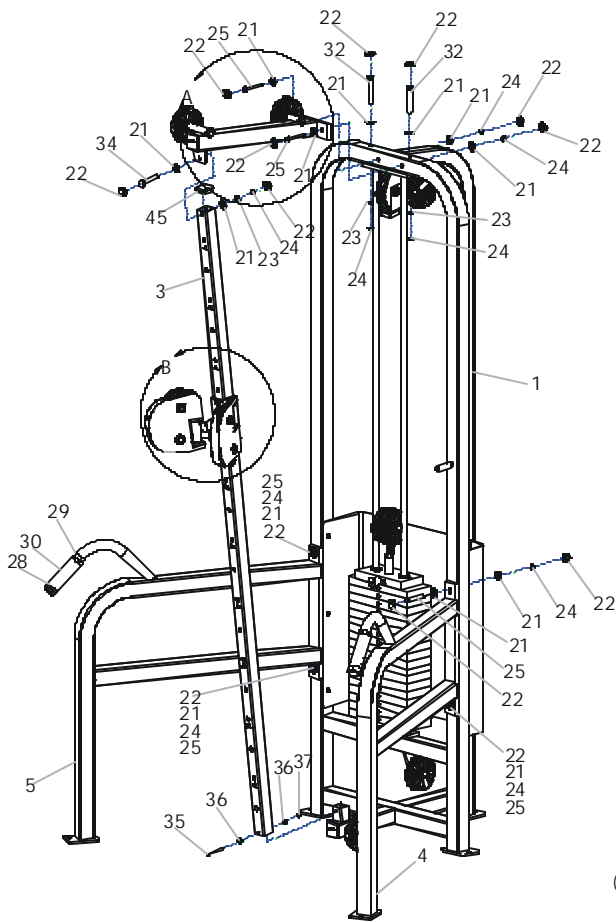


ITEM NO.	QTY.	PART NO.	DESCRIPTION	ITEM NO.	QTY.	PART NO.	DESCRIPTION
1	1	SM11-S0001-0000	SM11 WELDED FRAME ASSY	26	5	0017-00101-1413	3/8 - 16 X 28 UNS HEX BLT G5 ZN
2	1	SM11-S0002-0000	TOP PULLEY SUPPORT	27	1	0017-00009-0947	2-1/4" NYLON PEG COVER
3	1	SM00-M0001-0000	JUNGLE SS ADJ PULLEY	28	2	OK50-P0315-4000	END CAP
4	1	SM11-S0003-0000	RT SIDE STAND -	29	2	OK50-P0316-4000	GRIP RING
5	1	SM11-S0004-0000	LT SIDE STAND -	30	2	SM11-HANDLE GRIP	RUBBER GRIP
6	1	SM22-S0012-0000	TOP PLATE, RT - WELDED ASSY	31	2	0017-00042-0958	2X2 BLACK PLASTIC CAP
7	1	SM11-A0002-0000	SELECTOR ASSY - SM11	32	2	0017-00101-1422	3/8" X 3" BOLT
8	10	0017-00009-0977	4-1/2" PULLEY W/ 1" HUB	33	1	0017-00101-1420	3/8 - 16 X64 UNS HEX BLT G5 ZN
9	2	SM11-M0008-0000	GUIDE ROD - SM11	34	1	0017-00101-1417	3/8" X 2.5" BOLT
10	2	0017-00042-0993	WEIGHT STACK DONUT 1" THICK	35	1	0017-00101-1521	1/4 - 20 X 40 HXS BUT BLT G8 ZN
11	1	AK50-WS013	190 LBS WEIGHT STACK	36	2	0017-00104-0349	1/4 SPACER
12	1	SM22-S0011-0000	FLTG DBL PULLEY, MALE -	37	1	0017-00103-0227	NUT 1/4 - 20 THIN NYLOC D ST ZN
13	2	OK50-E0040	3.5" WIDE SIDE SHIELD	38	2	0017-00042-0967	3/4 I.D. BLACK PLASTIC ROD CAP
14	6	0017-00103-0212	NUT 10-24 NUTSERT ST ZN	39	1	0017-00103-0234	NUT 9/16 - 12 JAM D ST ZN
15	1	OK50-E0032	9000 PLASTIC SHIELD	40	1	0017-00042-1032	RUBBER STOP
16	5	OK50-P0519-1000	CABLE GUARD	41	8	0017-00101-1616	10-24 X8 PHL PAN MS ST ZN
17	1	OK50-P0532-0000	PULLEY GUARD	42	2	0017-00103-0228	NUT 10 -24 NYLOC D ST ZN
18	2	SM00-S0044-0000	ADJUSTABLE PULLEY HSG. SUB	43	2	0017-00101-1587	SHIELD RIVET
19	2	0017-00009-1075	3-1/2" PULLEY W/1" HUB	44	2	0017-00101-1598	3/8-16 X88 UNS HEX BLT G5 ZN
20	2	0017-00101-1416	3/8-16 X 2.00 UNS HEX BLT ST ZN	45	1	0017-00042-0947	1-3/4" X 1-3/4" 11 GAUGE PLASTIC CAP
21	38	0017-00104-0368	CAPLUG WASHER: RHW 205	46	4	0017-00104-0363	WSH 4375 4375-.750-063 FLAT ZN
22	38	0017-00042-0969	CAPLUG CAP: RH-20	47	2	0017-00101-1440	7/16-14X64 UNS HEX BLT G8 ZN
23	17	0017-00104-0313	WSH 375 - ID 13/32 OD 13/16 FL-D ST ZN	48	2	0017-00103-0241	NUT 7/16-14 THIN NYLOC D ST ZN
24	20	0017-00103-0217	NUT 3/8 - NYLOC: THIN NY NO	49	2	0017-00100-0181	SNAP RING: 3/8" CARRIBEANER
25	7	0017-00101-1408	3/8 - 16 X 44 UNS HEX BLT G5 ZN	50	1	AK50-CL422-0813	SM11 CABLE ASSY

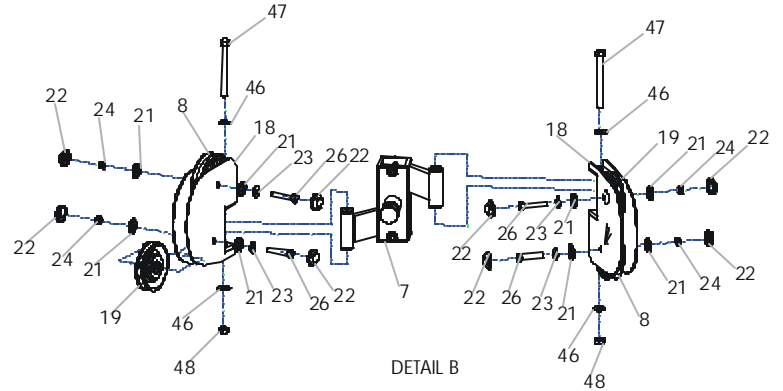
NOTE: Use parts list above to identify parts on next page.

STRENGTH 9000 SERIES TRAINING EQUIPMENT

SM11 Exploded View

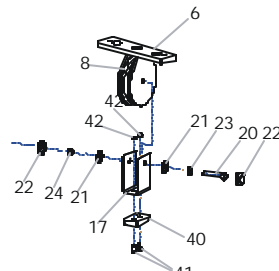
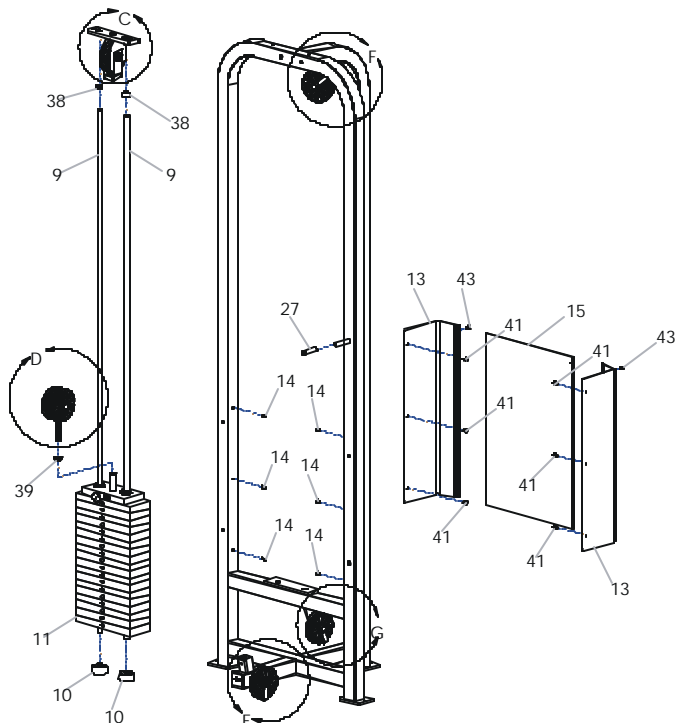


DETAIL A

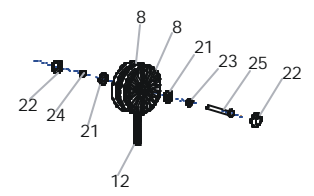


DETAIL B

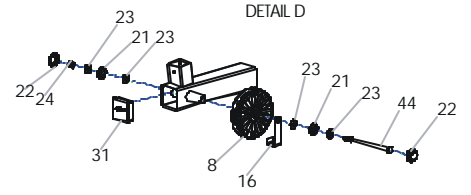
(SOME COMPONENTS REMOVED FOR CLARITY)



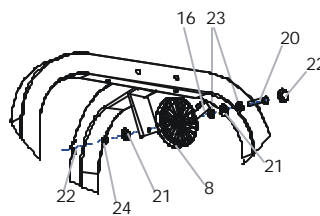
DETAIL C



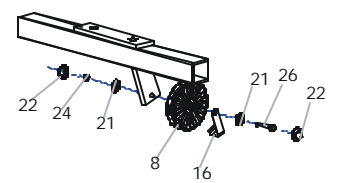
DETAIL D



DETAIL E



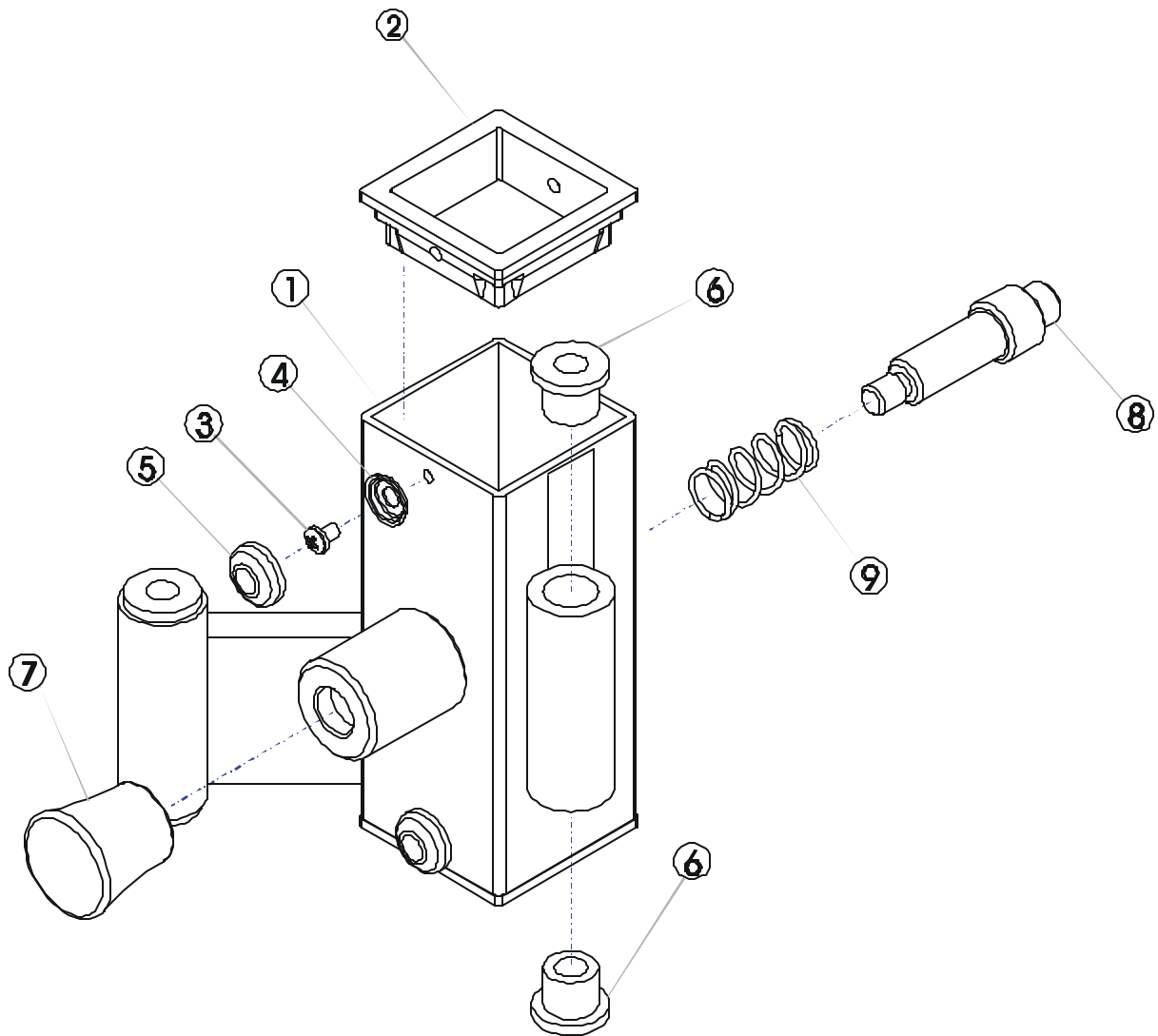
DETAIL F



DETAIL G

STRENGTH 9000 SERIES TRAINING EQUIPMENT

SM11 Selector Assembly



ITEM NO.	QTY.	PART NO.	DESCRIPTION
1	1	SM11-S0005-0000	SELECTOR - WELDED ASSY
2	2	0017-00042-0998	INSERT: PLASTIC; SEAT 2 X 2
3	4	0017-00101-1524	#8 X 1/4" PAN HEAD PLASTITE
4	4	0017-00104-0365	CAPLUG WASHER; RHW 105
5	4	0017-00042-0968	CAPLUG CAP; RH-10
6	4	0017-00009-0931	7/16 I.D. BRASS BUSHING
7	1	0017-00009-1077	KNOB, BLACK TULIP STYLE
8	1	0K50-P0124-0000	PULL PIN
9	1	0017-00009-0998	SPRING; PULL PIN SMALL 1-3/8